

PP4000 AC PowerPack

AC/DC Converter to Supply PS4000 Pump Systems with Backup Power from a Generator or Mains Supply

ORDER INFORMATION

- **Item no.:** 19-000180 **Product name:** Power Pack 4000 380 V AC
- **Item no.:** 19-000181 **Product name:** Power Pack 4000 460 V AC

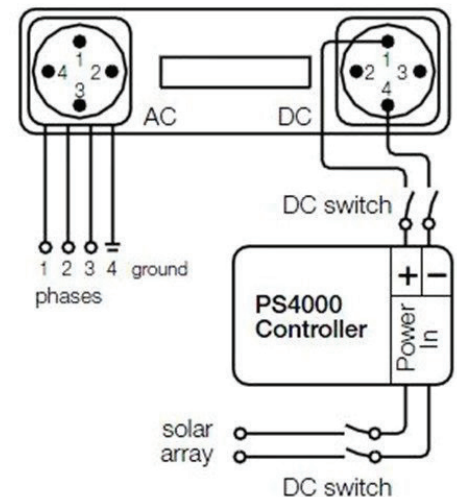


photo may differ from actual product

TECHNICAL DATA

Power Pack 4000 380 V AC	Power Pack 4000 460 V AC
3-Phase AC input 380 V ($\pm 20\%$) 45 to 65Hz	3-Phase AC input 460 V ($\pm 15\%$) 45 to 65Hz
DC output: 180-286 V DC 5.7 kW	DC output: 230-330 V DC 6.6 kW
DC output rated current: 20 A at 230 V DC	DC output rated current: 20 A at 330 V DC

- Must be protected from direct mid-day sun
- IP42
- Ambient temperature: -5 to 45°C
- Efficiency up to 94%
- Passive cooling, no fan
- All wires must be #14 AWG (2.5 mm²) or larger
- Manual with further information is available on PartnerNet
- Meets the requirements for CE



DIMENSION/WEIGHT

- Packaging dimensions: 332 x 210 x 202 mm
 15.7 x 8.7 x 8.3 in
- Total weight: 14.5 kg / 30 lbs